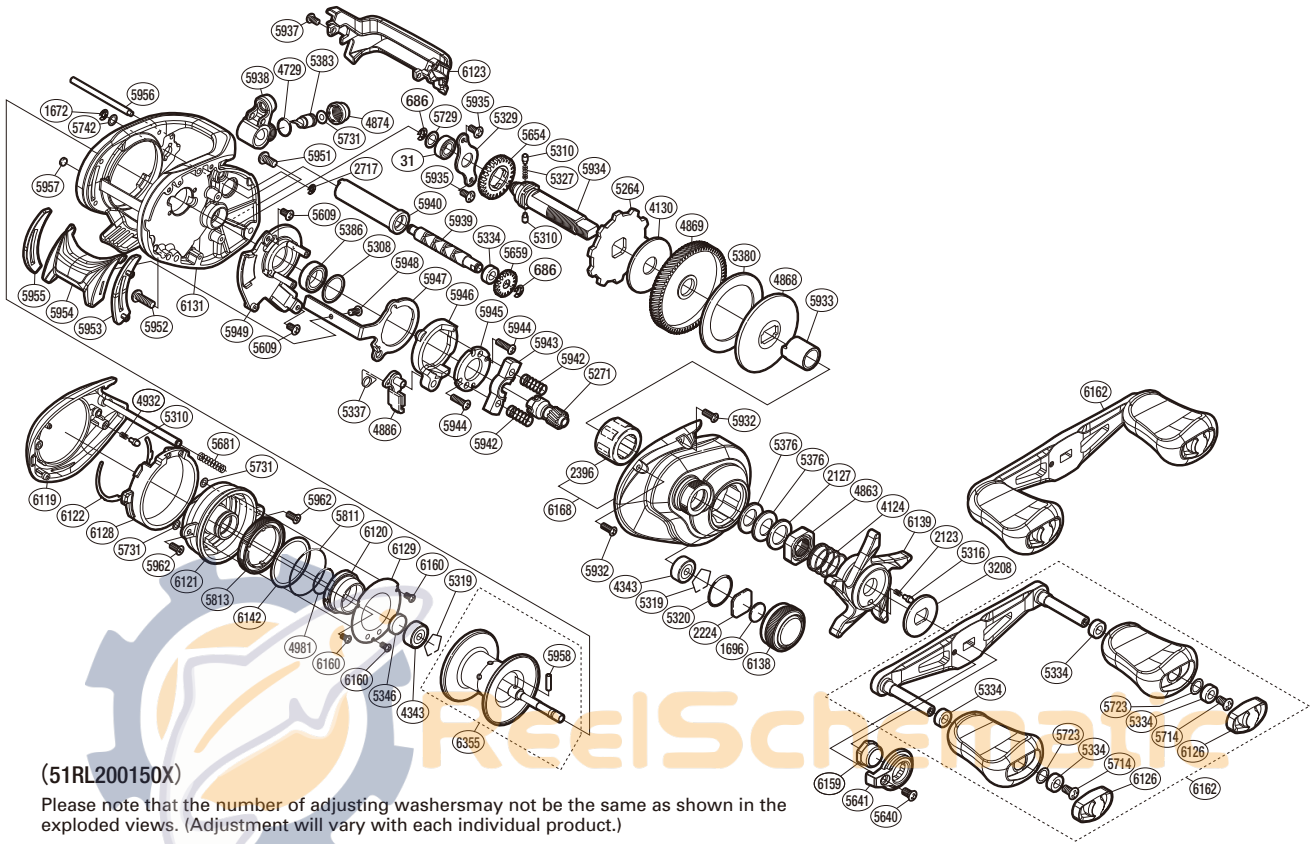


SHIMANO

SLX SA-RB

SLXXT150



(51RL200150X)

Please note that the number of adjusting washers may not be the same as shown in the exploded views. (Adjustment will vary with each individual product.)

The (5958) Spool clutch pin, and (2396) Roller clutch cannot be replaced by the customer. To replace these parts, please request after-sales service.

Part No.	Description	Part No.	Description	Part No.	Description
BNT0031	Ball Bearing	BNT5346	Spacer B	BNT5948	Screw
BNT0686	E Lock	BNT5376	Drag Spring Washer	BNT5949	Clutch Guard Assembly
BNT1672	E Lock	BNT5380	Drag Washer	BNT5951	Screw
BNT1696	Cast Control Spacer B	BNT5383	Line Guide Pawl	BNT5952	Screw
BNT2123	Click Spring	BNT5386	Ball Bearing	BNT5953	Clutch Bar Guide B
BNT2127	Star Drag Spacer	BNT5609	Screw	BNT5954	Clutch Button
BNT2224	Spool Tension Spacer A	BNT5640	Screw	BNT5955	Clutch Bar Guide A
BNT2396	Roller Clutch Bearing	BNT5641	Handle Nut Plate	BNT5956	Stabilizer Bar
BNT2717	E Lock	BNT5654	Idle Gear	BNT5957	Washer
BNT3208	Star Drag Click Plate	BNT5659	Idle Gear	BNT5958	Spool Clutch Pin
BNT4124	Star Drag Spring	BNT5681	Spring	BNT5962	Screw
BNT4130	Drag Washer	BNT5714	Screw	BNT6119	Left Side Plate Assembly
BNT4343	Ball Bearing	BNT5723	Washer	BNT6120	Brake Pipe Gear Assembly
BNT4729	O Ring	BNT5729	Washer	BNT6121	Dial Case
BNT4863	Star Drag Nut	BNT5731	Washer	BNT6122	Washer
BNT4868	Key Washer	BNT5742	Washer	BNT6123	Level Wind Protector
BNT4869	Drive Gear	BNT5811	O Ring	BNT6126	Handle Knob Seal
BNT4874	Pawl Cap	BNT5813	Brake Dial	BNT6128	B Side Plate Cam Lever
BNT4886	Clutch Pawl	BNT5932	Screw	BNT6129	Br Dial Retainer Plate
BNT4932	Click Spring	BNT5933	Roller Clutch Inner Tube	BNT6131	Frame
BNT4981	O Ring	BNT5934	Drive Shaft	BNT6138	Cast Control Cap
BNT5264	Anti-Reverse Ratchet	BNT5935	Screw	BNT6139	Star Drag
BNT5271	Pinion Gear	BNT5937	Screw	BNT6142	Washer
BNT5308	Washer	BNT5938	Line Guide Assembly	BNT6159	Handle Nut
BNT5310	Idle Gear Pin	BNT5939	Worm Shaft	BNT6160	Screw
BNT5316	Click Pin	BNT5940	Level Wind Guard	BNT6162	Handle Assembly
BNT5319	Bearing Retainer	BNT5942	Yoke Spring	BNT6168	Right Side Plate Assembly
BNT5320	O Ring	BNT5943	Yoke	BNT6355	Spool Assembly
BNT5327	Idle Gear Spring	BNT5944	Screw		
BNT5329	Drive Shaft Retainer	BNT5945	Clutch Cam Retainer		
BNT5334	Bushing	BNT5946	Clutch Cam		
BNT5337	Clutch Pawl Spring	BNT5947	Clutch Plate	BNT4692	B-100 Oil (Accessory)